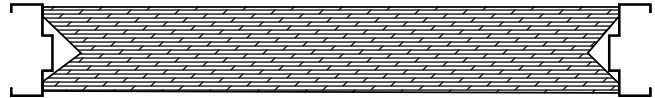
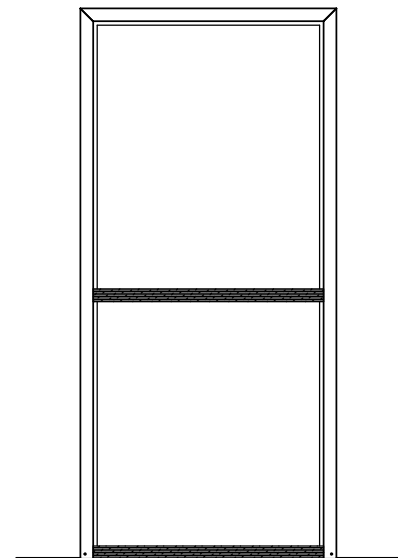


F SERIES FRAME INSTALLATION - BLOCK WALL (NEW CONSTRUCTION)

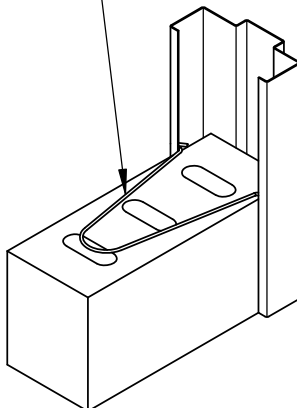
TYPICAL WOOD SPREADER MUST BE SQUARE AND FABRICATED FROM LUMBER NO LESS THAN 1" THICK. CORRECT LENGTH IS THE DOOR OPENING WIDTH BETWEEN JAMBS AND HEADER. CUT CLEARANCE NOTCHES FOR THE FRAME STOPS. AT FRAME STOPS SPREADER MUST BE NEARLY AS WIDE AS FRAME DEPTH FOR PROPER INSTALLATION.
I.E. SINGLE DOOR 3'0" = 36"
DOUBLE DOOR 6'0" = 72"



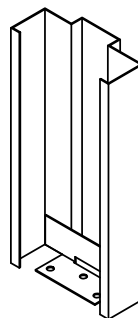
- (1) ASSEMBLE AND WELD FRAME.
- (2) SET AND PLUMB FRAME.
- (3) FASTEN FLOOR ANCHORS WITH APPROPRIATE FASTENERS.
- (4) AN ANCHOR SHALL BE USED FOR EACH 26" OF JAMB HEIGHT OR FRACTION THEREOF. EACH ANCHOR SHALL BE INSTALLED AS WALL IS LAID UP. GROUT FRAME IN THE AREA OF ANCHOR.
- (5) A SECOND SPREADER IS RECOMMENDED AT THE MID-POINT OF THE DOOR OPENING TO MAINTAIN THE DOOR OPENING DIMENSION.
- (6) CONTINUALLY CHECK PLUMB AND SQUARE AS THE WALL PROGRESSES.



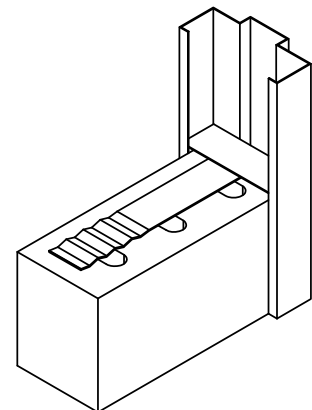
OVER SPREAD ANCHOR BEFORE
INSTALLATION TO ENSURE
PROPER FIT.



WIRE MASONRY ANCHOR



MASONRY FLOOR ANCHOR



MASONRY T ANCHOR



MESKER™
The newest innovations in hollow metal from the
oldest hollow metal door company in America

F SERIES FRAME INSTALLATION - STEEL STUD WALL (NEW CONSTRUCTION)

STEEL STUD WALL CONSTRUCTION

ROUGH STUD OPENING

**WIDTH: NOMINAL FRAME WIDTH
+4 3/8" MIN, TO 4 3/4" MAX.
(I.E. 3'0" = 40 3/8" MIN TO 40 3/4" MAX.)**

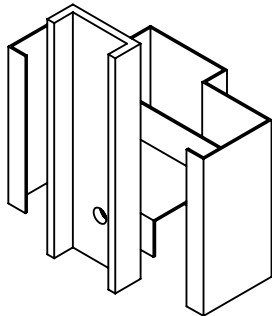
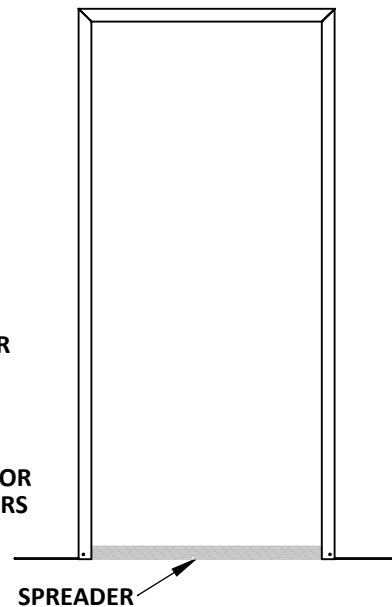
**HEIGHT: NOMINAL FRAME HEIGHT
+2 1/8" MIN.
(I.E. 6'8" = 82 1/8" MIN.)**

(1) INSTALL MINIMUM OF THREE ANCHORS PER JAMB (BOTH HINGE AND STRIKE). POSITION ANCHORS IN FRAME THROUGH THE THROAT AND TAP ON WITH A HAMMER OR USE WELDED IN Z ANCHOR. FOUR ANCHORS PER JAMB LEG OVER 7'0" HEIGHT.

(2) SQUARE, BRACE, AND PLUMB FRAME AS SHOWN.

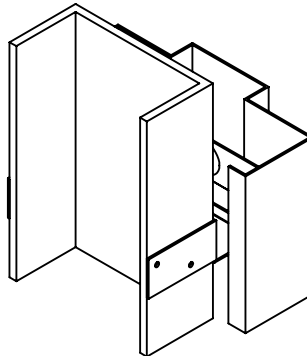
(3) SET SPREADER. ATTACH JAMBS TO FLOOR THROUGH FLOOR ANCHOR OR FLOOR EXTENSION. INSTALL JAMB STUDS TO FLOOR AND CEILING RUNNERS AND TIGHTLY AGAINST FRAME ANCHORS.

(4) ATTACH STUDS TO FRAME ANCHORS AS SHOWN.

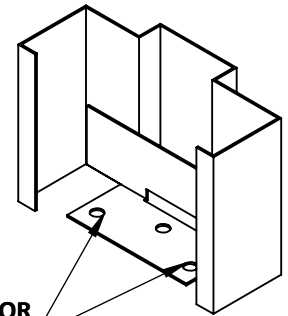


**STEEL STUD ANCHOR
Z ANCHOR**

**CENTER STUDS IN FRAME THROAT
OR AS DESIRED AND ATTACH
TO ANCHORS WITH SCREWS.**



**STEEL STUD ANCHOR
UNA ANCHOR**



**USE THESE
HOLES FOR FLOOR
ATTACHMENT**

SILL ANCHOR

WHEN ATTACHING HEADER STUDS TO JAMB STUDS, BE SURE THE STUD IS ABOVE FRAME HEADER. THIS WILL ASSURE AMPLE ROOM FOR ATTACHING PLASTER LATH OR DRYWALL AND WILL NOT INTERFERE WITH INSTALLATION OF HARDWARE ATTACHED TO FRAME HEADER.



MESKER™
The newest innovations in hollow metal from the
oldest hollow metal door company in America

F SERIES FRAME INSTALLATION - WOOD STUD WALL (NEW CONSTRUCTION)

WOOD STUD CONSTRUCTION

ROUGH STUD OPENING

WIDTH: NOMINAL FRAME WIDTH

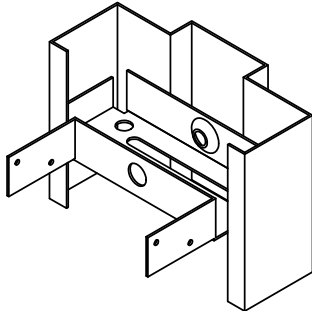
+4 3/8" MIN, TO 4 3/4" MAX.

(I.E. 3'0" = 40 3/8" MIN TO 40 3/4" MAX.)

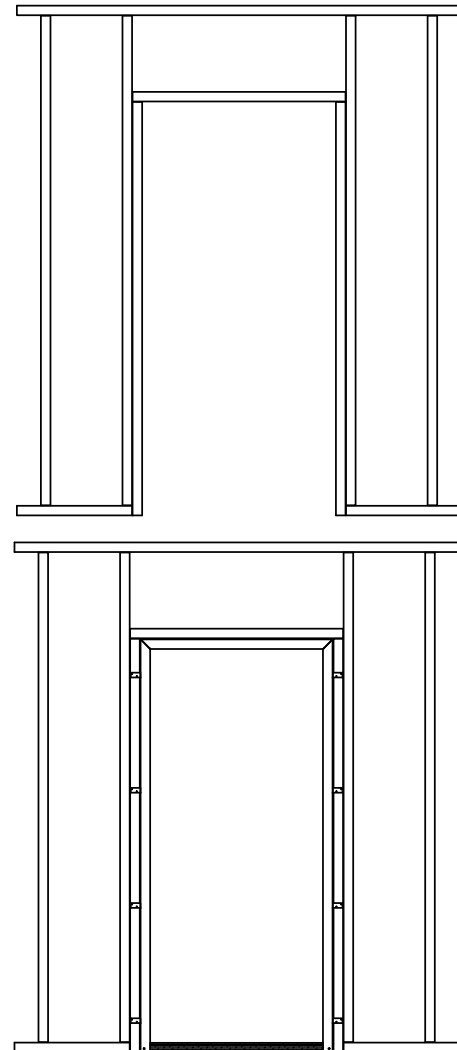
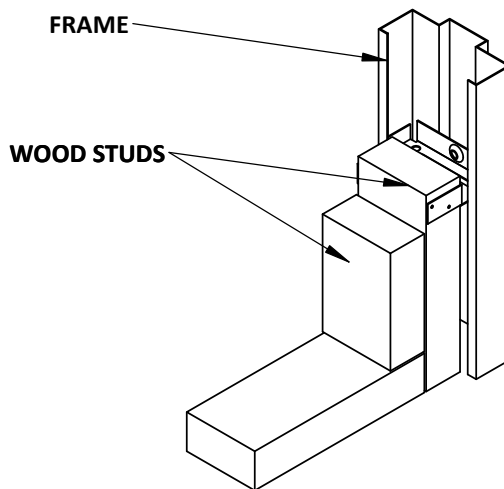
HEIGHT: NOMINAL FRAME HEIGHT

+2 1/8" MIN.

(I.E. 6'8" = 82 1/8" MIN.)



WOOD STUD ANCHOR



ELEVATION

(1) INSERT THREE ANCHORS PER JAMB UP TO AND INCLUDING 7' 2" HEIGHT (FOUR OVER 7' 2" HIGH). POSITION ANCHORS IN FRAME THROAT AND TAP IN WITH A HAMMER. BASE ANCHORS MAY ALSO BE USED.

(2) PLACE FRAME IN STUD OPENING.

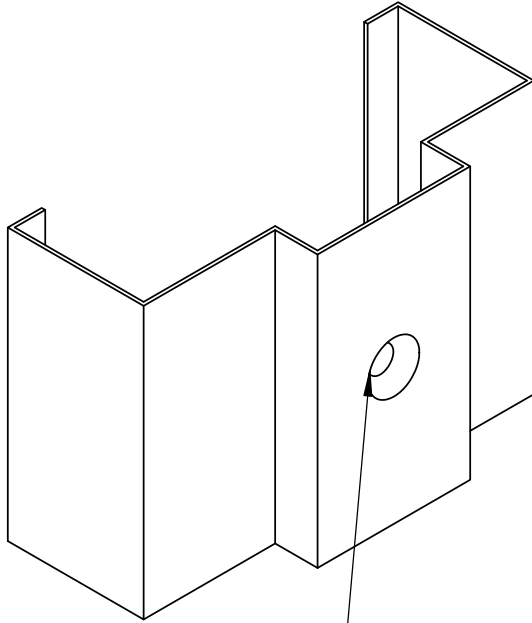
(3) BEND ANCHOR TABS AROUND STUD LEAVING DESIRED CLEARANCE BETWEEN FRAME RETURN AND STUD FOR INSERTING FINISHED WALL MATERIAL.

(4) SET SPREADER AND LEVEL FRAME. SHIM JAMBS IF NECESSARY.

(5) SQUARE AND NAIL OR SCREW TOP ANCHORS TO STUDS ON ONE JAMB ONLY. CHECK PLUMB AND SQUARE AND CONTINUE TO NAIL OR SCREW BALANCE OF ANCHORS TO STUDS. REPEAT FOR OPPOSITE JAMB.



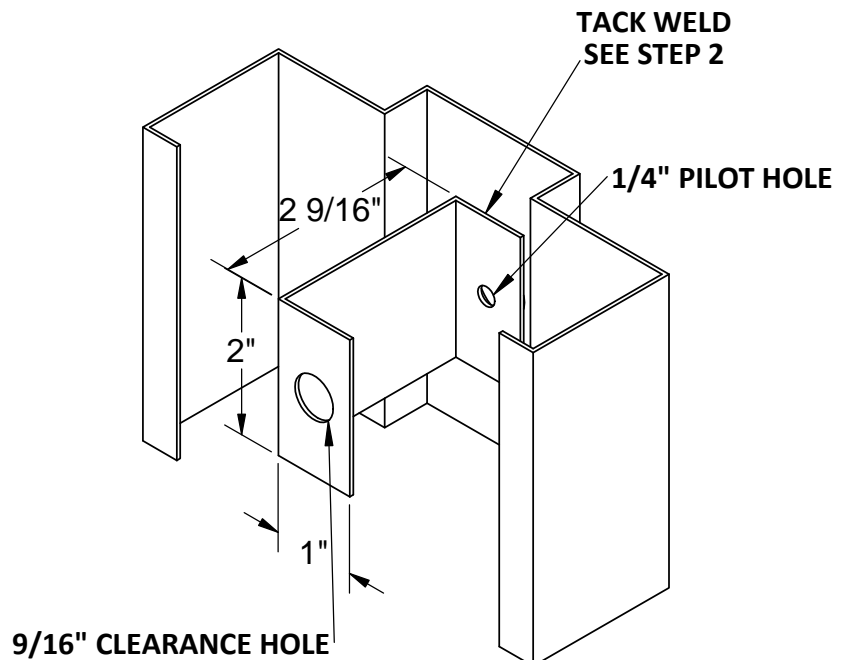
**F SERIES
FRAME ANCHOR - AEW (ANCHOR EXISTING WALL)**



**SEE STEP 4 FOR
COUNTERSINK DETAIL**

INSTALLATION PROCEDURE

1. DRILL 1/4" DIAMETER HOLE IN SOFFIT AS AN AID TO LOCATE ANCHOR.
2. ALIGN 1/4" HOLE IN ANCHOR WITH THE HOLE DRILLED IN STEP 1 AND WELD THE ANCHOR TO THE FRAME.
3. DRILL 7/16" HOLE THROUGH FRAME AND ANCHOR.
4. COUNTERSINK FOR 3/8" DIAMETER FLAT HEAD MACHINE BOLT OR #24 WOOD SCREW.



9/16" CLEARANCE HOLE

